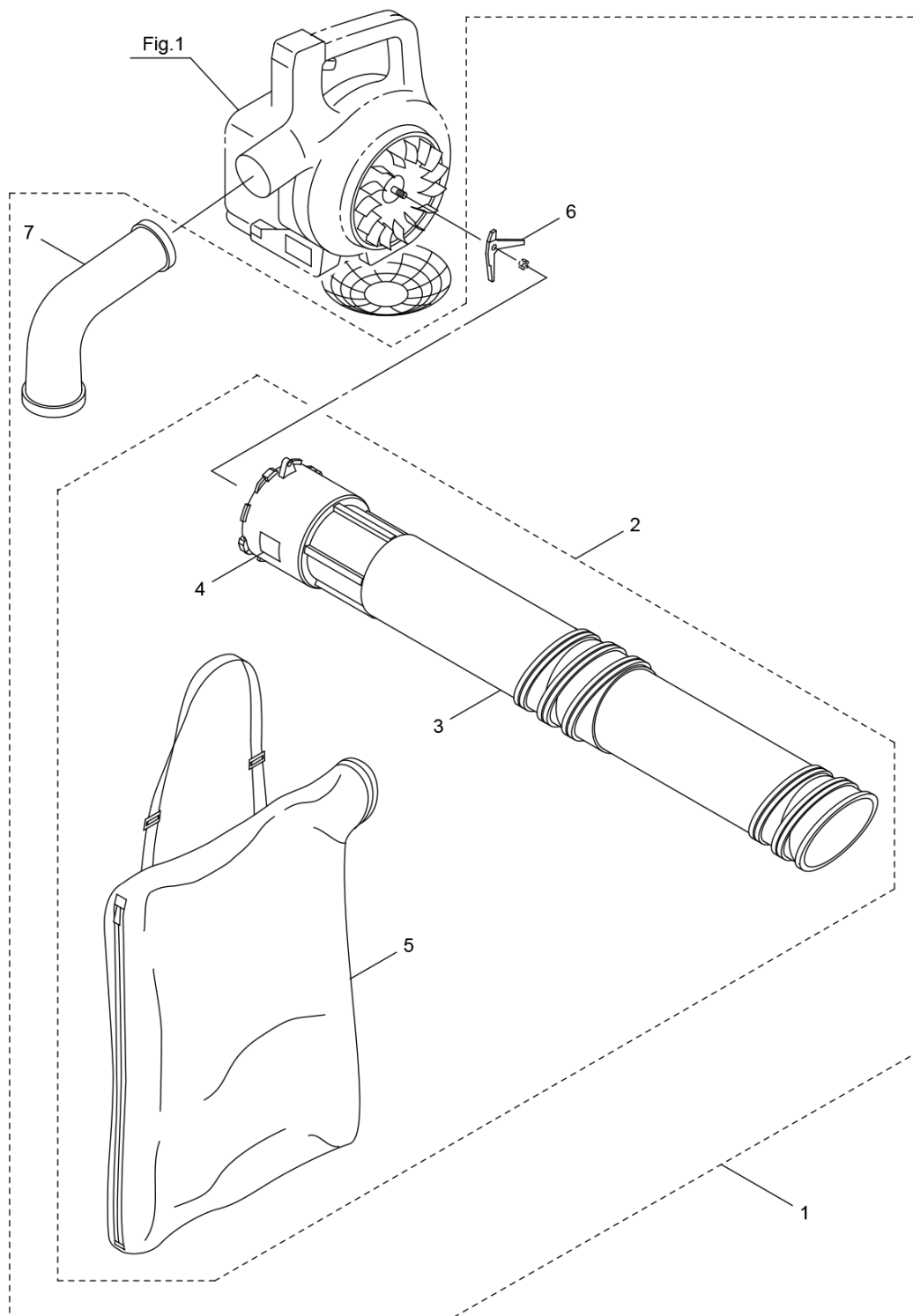


5. VACUUM KIT



Status	Position	Parts Number	Parts Name	Unit Quantity	Lot Order Quantity	Remarks	Maker code
×	1	395750		1		Incl.2-8	
				1			
	3	281691	VACUUM PIPE	1		0	
	4	281688	LABEL	1		0	
	5	281689	DUST BAG	1		0	
	6	282013	SHREDDER	1		0	
	7	282086	PIPE C	1		0	
	8	283188		1		0	